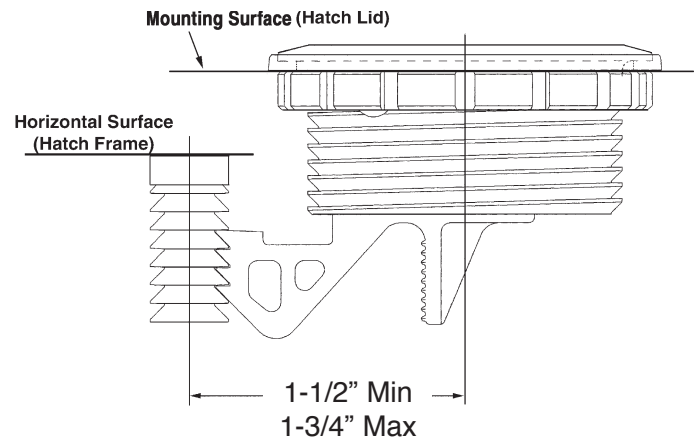


## MOUNTING INSTRUCTIONS

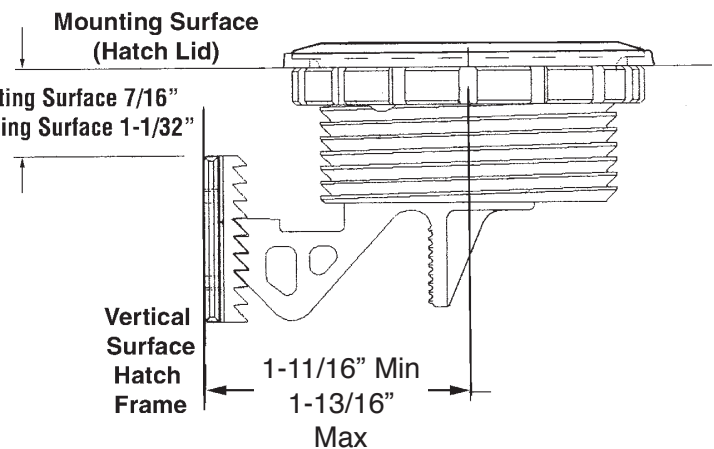
These latches are designed to be mounted through surfaces from 1/8 inch to 3/4 inches thick.

- 1). Cut out the appropriate template below.
- 2). Lay on hatch (flat) to determine the relative locations of the strike
- 3). Mark center of hole for drilling, then drill a 2 inch hole through the mounting surface.
- 4). Insert latch through the hole in the surface and attach back-up nut.
- 5). **For Post Type Strike:**  
Mark and drill for a #8 screw near the edge of the hatch in order to engage with the teeth on the slide. Note the mounting distance between the center of the latch and the center of the strike (1-1/2" to 1-3/4").
- 6). **For Flat Strike:**  
After making sure the vertical surface is in the range (1-11/16" to 1-13/16") per the template, place strike on the surface and drill for two #8 screws

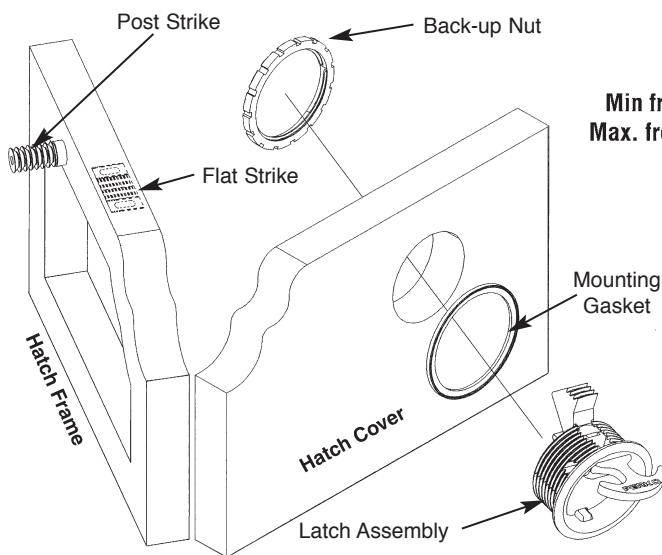
### MOUNTING ILLUSTRATION - POST TYPE STRIKE



### MOUNTING ILLUSTRATION - FLAT STRIKE

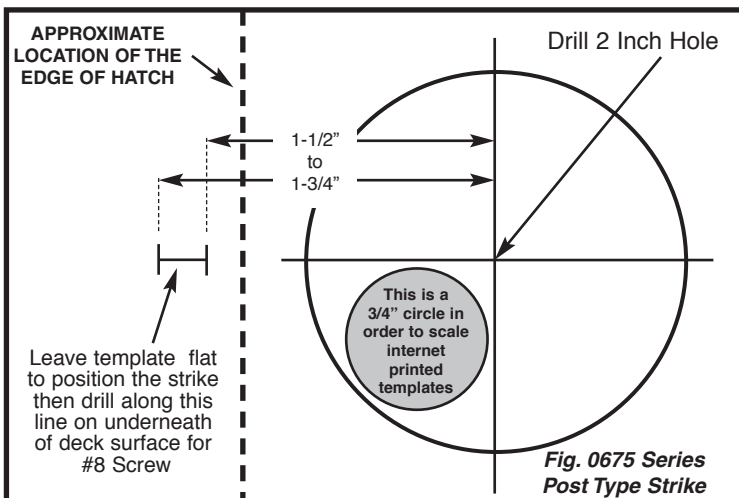


### MOUNTING DIAGRAM



PERKO, Inc.  
16490 N.W. 13th Ave  
Miami, FL 33169-5707  
www.perko.com

### MOUNTING TEMPLATE FOR POST TYPE STRIKE



### MOUNTING TEMPLATE FOR FLAT STRIKE

